

Deko Floors



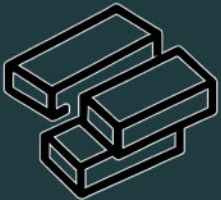
Deko Natural Installation Guide



General Instructions

Thank you for choosing Deko Flooring. When installed correctly and maintained well, your new flooring will remain beautiful and durable for many years. Please read the full installation instructions before beginning. Improper installation will void the warranty.

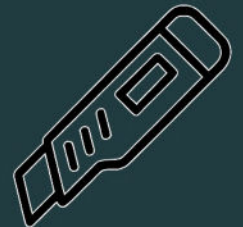
Tools Needed



Spacers



Rubber mallet



Utility knife



Tape measure



Straight edge or spirit level



Ruler

Preparation & Handling

- The room temperature must remain stable between 15°C and 28°C (59°F to 80°F) throughout installation and for at least 24 hours before and after. Avoid daily temperature fluctuations greater than $\pm 3^{\circ}\text{C}$, especially when using radiant heating or adhesive systems.



- Inspect all planks in daylight for visible defects before installation. No claims for surface defects will be accepted once installed.
- Ensure subfloor and site conditions meet the specifications in this guide. If not, do not proceed. Contact your supplier.
- Handle flooring with care to avoid edge damage or surface scratches. Rough handling can cause defects before installation.
- Mix planks from 2–3 cartons during installation to ensure a natural look.
- Store cartons flat (not on edges) in a dry, enclosed area.
- Flooring should be installed at consistent room temperatures between 15°C and 28°C.
- This product does not require acclimation.
- Avoid exposure to extreme temperatures below -15°C or above 50°C.
- Calculate total flooring area and include at least 10% extra for cutting waste.
- 📷 DIY Tip: Take clear photos or videos of the subfloor condition to show it is clean and level. This can support future

Subfloor Requirements

Adhesive for Stair Installations

For stair nosing's and treads, we recommend using a high-strength polyurethane construction adhesive such as:

- Loctite PL Premium
- Selleys Flexiseal FC / 552 AT or Selleys Liquid Nails

Existing Floors

- Deko flooring can be installed over most existing hard surface floor coverings, provided that the surface is clean, flat, dry, securely fastened, and structurally sound.
- Existing sheet vinyl floors should not be heavily cushioned and must not exceed one layer in thickness.
- Avoid soft underlayments or soft substrates, as they reduce the floor's ability to resist indentations.
- Never use solvents or citrus-based adhesive removers to clean old adhesives, as residue may interfere with adhesion or damage the new flooring.
- Existing sheet vinyl floors should not be heavily cushioned and must not exceed one layer in thickness.
- Avoid soft underlayments or soft substrates, as they reduce the floor's ability to resist indentations.



- **✗ Do NOT install over:**
 - Hardwood flooring or wood subfloors laid directly on concrete
 - Dimensional lumber or plywood directly over concrete
 - Any type of carpet
 - Existing cushion-backed vinyl flooring
 - Floating floors, loose lay vinyl, or perimeter-fastened sheet vinyl, provided that the surface is clean, flat, dry, securely fastened, and structurally sound.

⚠ IMPORTANT NOTICE: Deko Flooring may also be installed using a direct glue-down method over approved wood or concrete subfloors that are on or above grade only. Use premium pressure-sensitive vinyl flooring adhesive and follow the adhesive manufacturer's instructions. Confirm adhesive compatibility before use. Do not include a 6-mil polyfilm vapor barrier when using the glue-down method. The flooring must be adhered directly to the subfloor. Never glue flooring onto a polyfilm barrier. Do not glue the flooring to polyethylene moisture barriers.

Your subfloor must be:

- Clean, dry, and free from debris, wax, paint, solvents, or oil
- Structurally sound and flat within:
 - 5mm over 3 metres OR
 - 3mm over 2 metres
- ✓ Deko Natural's carbon-infused core minimizes expansion and contraction, allowing it to be installed over slightly uneven subfloors

Moisture & Vapor Control

- SPC flooring is waterproof but not a moisture barrier.
- For timber or concrete subfloors, use a minimum 200-micron (6-mil) polyethylene sheet as a moisture barrier (unless glue-down method is used).
- Overlap polyethylene sheet seams by 200mm, and seal with tape.
- Do not glue flooring directly to poly sheet.

Concrete

- Must be at least 60 days old, smooth, and dry
- Depressions, deep grooves, expansion joints, and other subfloor imperfections must be filled with a high-quality patching and leveling compound
- Moisture levels must not exceed:
 - 3 lbs/1,000 sq.ft/24hrs (Calcium Chloride Test ASTM F1869), or
 - 75% RH (ASTM F2170)
- Fill any cracks or uneven areas using a patching compound




Timber / Plywood

- Nail or screw every 15cm to prevent squeaks
- All other subfloors — such as plywood, OSB, particleboard, chipboard, wafer board, etc. — must be structurally sound and installed according to the manufacturer's recommendations
- Basements and crawl spaces must be dry and fully covered with polyethylene sheeting
- Lay flooring planks perpendicular to floorboards where possible

Radiant Heating

- Radiant heat systems must have a minimum 1/2" (12mm) separation between the heating element and the flooring surface.
- Flooring can be installed over embedded radiant heat systems using either the floating or glue-down method.
- Maintain floor temperature under 30°C (85°F) at all times.
- The use of an in-floor temperature sensor is strongly recommended to avoid overheating.
- Before installing over newly constructed radiant heat systems, operate the system at maximum capacity to force out any residual moisture from the cementitious topping.

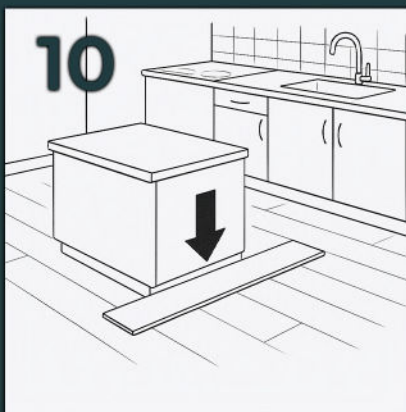
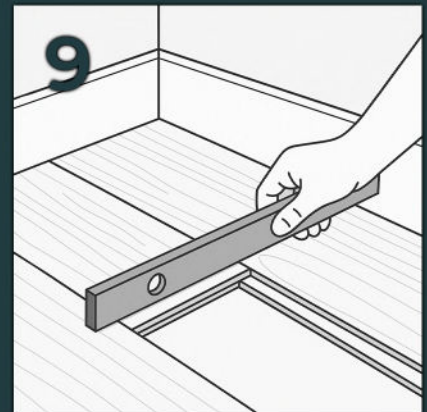
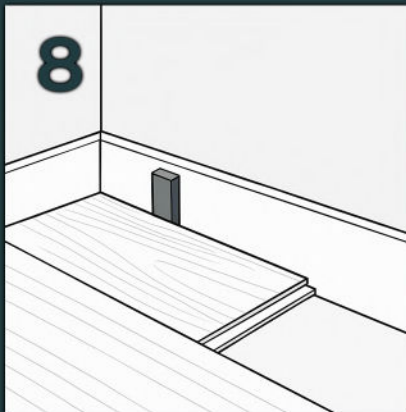
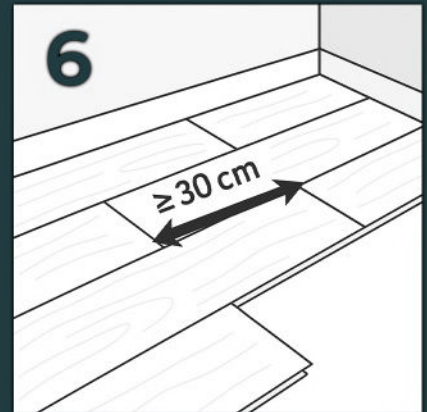
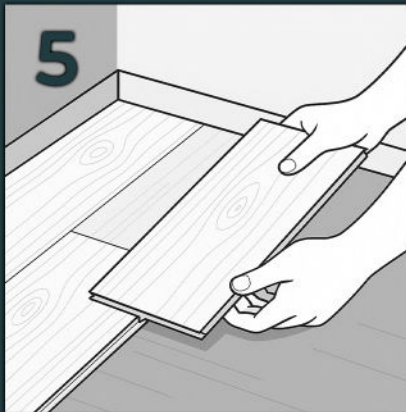
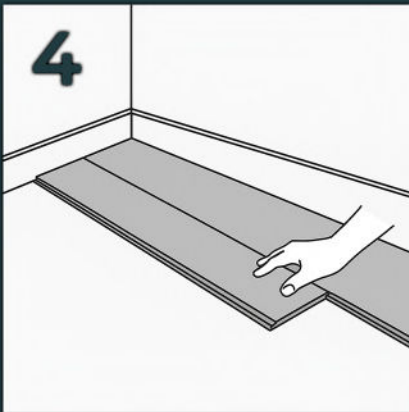
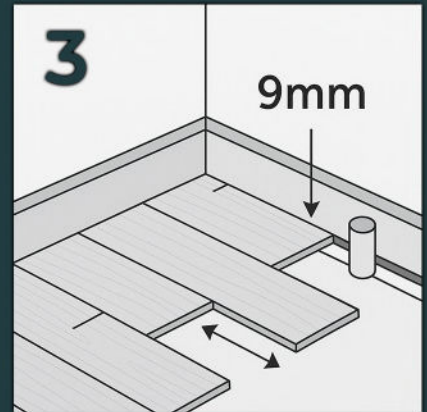
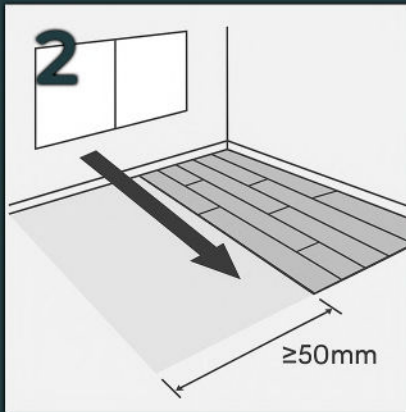


-  **Warning:** Electric heating mats that are not embedded into the subfloor are not recommended. Installing flooring directly over these mats can lead to failure and will void the warranty. Always use embedded radiant heat systems and follow all installation guidelines.
- Turn radiant heating off 24 hours before, during, and after installation to allow proper adhesive cure and plank expansion.


Not Suitable For:

- Outdoor or wet areas (e.g. saunas, bathrooms prone to flooding)
- Over carpet or underlay
- Directly over hardwood laid on concrete
- More than one layer of cushioned vinyl
- Floating floors or loose lay vinyl

Installation Process



1. Clean and prep the subfloor. Remove skirting and door trims or undercut for clean finish.
2. Plan layout: Planks should run parallel to the main light source or longest wall. Ensure final row width is not less than 50mm.
3. Expansion gaps: Leave 9mm around walls, pipes, and permanent fixtures.
4. Start in a corner, with the groove side toward you.
5. Connect short sides first. Angle and click together. Use a rubber mallet to tighten up the joints.
6. Stagger end joints by at least 30cm.
7. Continue row by row, locking planks lengthwise and short edge.
8. Use spacers between floor and wall.
9. Check alignment every few rows using a straight edge.
10. Avoid installing cabinets or fixed islands over the flooring. Let the floor float.

 Use offcuts to begin the next row, ensuring pieces are at least 30cm long.

Finishing

- Fixed cabinets, kitchen islands, or any permanent structures must not be installed over the flooring. Doing so can restrict the floor's natural expansion and contraction, potentially leading to damage and voiding the warranty.
- Reinstall baseboards without pinching the floor
- Use "T" moldings at doorways and transitions
- Leave 9mm expansion at all edges

Maintenance (Post-Installation)

- Sweep or vacuum daily using soft bristle attachments.
- Clean up spills and excessive liquids immediately.
- Damp mop as needed with pH-neutral vinyl floor cleaner.
- Use proper floor protection devices such as felt pads under furniture.
- Place a walk-off mat at outside entrances to reduce the amount of dirt brought into your home.
- Do not use mats with latex or rubber backings, as these can cause permanent discolouration.
- Do not use abrasive cleaners, bleach, wax, or steam mops.



- Do not drag or slide heavy objects across the floor.

Preventive Care

- When moving appliances or heavy furniture, place a plywood panel or similar board down and "walk" the item across it to avoid damage.
- Frequently moved furniture should be fitted with felt pads to prevent scratches.
- Heavy furniture and appliances should be placed on non-staining, large-surface floor protectors.
- Furniture with castors must have easy-swivelling, wide, non-staining wheels suitable for resilient floors.
- Do not use ball-type castors, as they can damage the floor.
- Chairs with wheels should have wide, rubber casters and sit on protective mats.
- As a general rule: the heavier the item, the wider the floor protector needed.

Disassembly

- Lift entire row at an angle to disconnect
- Slide planks apart gently

- Slight lift (5° angle) may help separation if joints are tight

**Need help? Contact your Deko
Flooring supplier**



Deko Floors